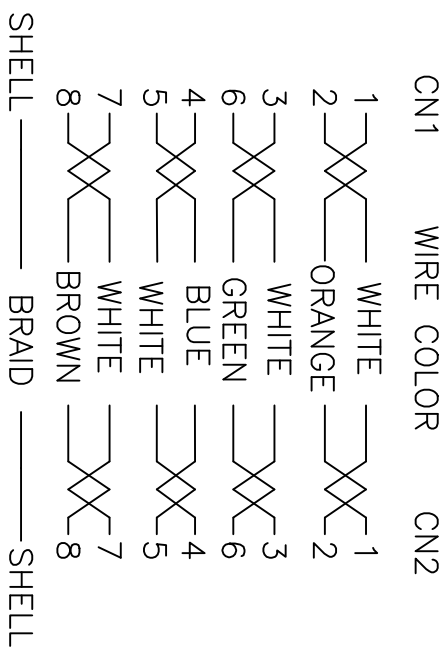


MATERIAL LIST:

NO.	PARTS NAME	SPECIFICATION DESCRIPTION
①	CABLE	S/FTP [26AWG(BC 7/0.16±0.005)*1PR+AJ*4+B(AL-MG)+PVC OD:7.0±0.3mm COLOR:Assorted upon request
②	RJ45 CONNECTOR	RJ45,8P8C,TWO FORK GOLD PLATED CONTACTS BLACK TRANSPARENT GOLD PLATED WITH METAL HOUSING
③	MOLDING PVC	MOLDING PVC 45P COLOR:Assorted upon request

Marking: 25/40G Base-T CATEGORY 8 - 2000HMz S/FTP PIMF PATCH CABLE 26AWG CONFORM TO ISO/IEC 11801 AND ANSITIA-568-2-D

PIN OUT



ELECTRONIC TEST:
A.OPEN/SHORT/INTERMITTENCE: 100%.

REMARK NO	CHAN NO	SIGNATURE	DATE
DRAWN BY	Renzhi		
CHECKED BY			
AUDITED BY			
CRAFT			

SIGN	W/T	SCALE

ITEM NO. (SECTION SHEET)

S/FTP CAT8 26AWG PVC